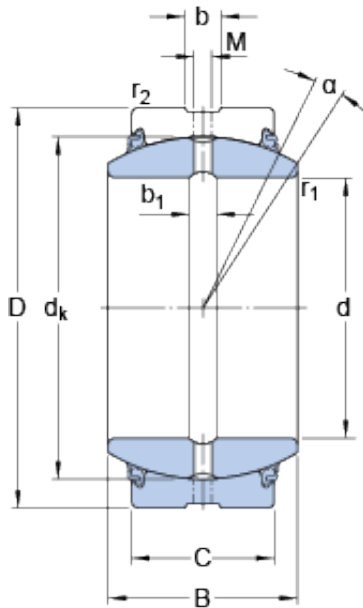




NTN-SNR BEARING RULMENTI S.R.L.



GE 25 ESX-2LS Bearing 2D drawings and 3D CAD models

25 mm x 42 mm x 20 mm skf GE 25 ESX-2LS
Radial spherical plain bearings

Bearing No. GE 25 ESX-2LS

Size	42x25x20 mm
Bore Diameter	42 mm
Outer Diameter	25 mm
Width	20 mm
d	25 mm
D	42 mm
B	20 mm
C	16 mm
	7 °
dk	35.5 mm
b	3.1 mm
b ₁	3.1 mm
M	2 mm
r ₁ - min.	0.6 mm
r ₂ - min.	0.6 mm
d _a - min.	28.2 mm
d _a - max.	29.3 mm
D _a - min.	36.9 mm
D _a - max.	39.2 mm
r _a - max.	0.6 mm
r _b - max.	0.6 mm
Basic dynamic load rating - C	72 kN
Basic static load rating - C ₀	240 kN
Specific factor dinamic load - K	150 N/mm ²



NTN-SNR BEARING RULMENTI S.R.L.

Specific factor static load - K_0	500 N/mm ²
Constant - K_M	330
Lubricant	Maintenance free – greased for life
Design (sliding contact surface combination)	Steel/steel
Sealing solution	Triple-lip seals
	7 °
d_k	35.5 mm
b_1	3.1 mm
r_1 min.	0.6 mm
r_2 min.	0.6 mm
d_a min.	28.2 mm
d_a max.	29.3 mm
D_a min.	36.9 mm
D_a max.	39.2 mm
r_a max.	0.6 mm
r_b max.	0.6 mm
Basic dynamic load rating C	72 kN
Basic static load rating C_0	240 kN
Specific dynamic load factor K	150 N/mm ²
Specific static load factor K_0	500 N/mm ²
Material constant K_M	330
Mass plain bearing	0.12 kg