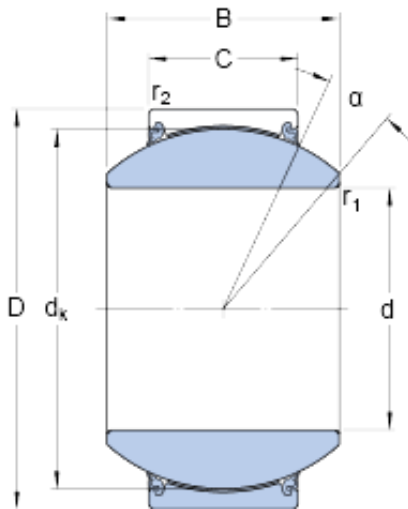




NTN-SNR BEARING RULMENTI S.R.L.



40 mm x 68 mm x 40 mm skf GEH 40 TXG3E-2LS Radial spherical plain bearings

Bearing No. GEH 40 TXG3E-2LS

GEH 40 TXG3E-2LS Bearing 2D drawings and 3D CAD models

Size	68x40x40 mm
Bore Diameter	68 mm
Outer Diameter	40 mm
Width	40 mm
d	40 mm
D	68 mm
B	40 mm
C	25 mm
	17 °
d _k	60 mm
r ₁ - min.	0.6 mm
r ₂ - min.	1 mm
d _a - min.	44.2 mm
d _a - max.	44.7 mm
D _a - min.	61 mm
D _a - max.	63.5 mm
r _a - max.	0.6 mm
r _b - max.	1 mm
Basic dynamic load rating - C	360 kN
Basic static load rating - C ₀	600 kN
Specific factor dynamic load - K	300 N/mm ²
Specific factor static load - K ₀	500 N/mm ²
Lubricant	Maintenance free – dry



NTN-SNR BEARING RULMENTI S.R.L.

	Lubrication
Design (sliding contact surface combination)	Steel/PTFE fabric
Sealing solution	Triple-lip seals
	17 °
d_k	60 mm
r_1 min.	0.6 mm
r_2 min.	1 mm
d_a min.	44.2 mm
d_a max.	44.7 mm
D_a min.	61 mm
D_a max.	63.5 mm
r_a max.	0.6 mm
r_b max.	1 mm
Basic dynamic load rating C	360 kN
Basic static load rating C_0	600 kN
Specific dynamic load factor K	300 N/mm ²
Specific static load factor K_0	500 N/mm ²
Mass plain bearing	0.52 kg