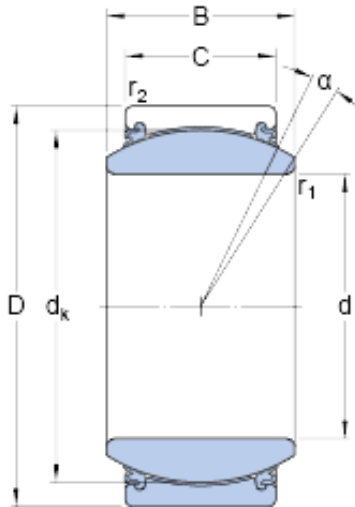




## NTN-SNR BEARING RULMENTI S.R.L.



GE 20 TXE-2LS Bearing 2D drawings and 3D CAD models

20 mm x 35 mm x 16 mm skf GE 20 TXE-2LS  
Radial spherical plain bearings

Bearing No. GE 20 TXE-2LS

Size	35x20x16 mm
Bore Diameter	35 mm
Outer Diameter	20 mm
Width	16 mm
d	20 mm
D	35 mm
B	16 mm
C	12 mm
	9 °
d <sub>k</sub>	29 mm
r <sub>1</sub> - min.	0.3 mm
r <sub>2</sub> - min.	0.3 mm
d <sub>a</sub> - min.	22.1 mm
d <sub>a</sub> - max.	24.2 mm
D <sub>a</sub> - min.	27.6 mm
D <sub>a</sub> - max.	33.2 mm
r <sub>a</sub> - max.	0.3 mm
r <sub>b</sub> - max.	0.3 mm
Basic dynamic load rating - C	83 kN
Basic static load rating - C <sub>0</sub>	140 kN
Specific factor dinamic load - K	300 N/mm <sup>2</sup>
Specific factor static load - K <sub>0</sub>	500 N/mm <sup>2</sup>
Category	Spherical Plain Bearings -



## NTN-SNR BEARING RULMENTI S.R.L.

	Radial
Inventory	0.0
Manufacturer Name	SKF
Minimum Buy Quantity	N/A
Weight / Kilogram	0.06
EAN	7316574597796
Product Group	B04264
Self Aligning	Yes
Rolling Element	Spherical Plain
Material - Outer Member	Steel
Material - Ball	Steel
Material - Liner	Teflon
Relubricatable	No
Enclosure	2 Seals
Other Features	2 Piece   Maintenance Free   Chrome Plated Ball   Self Lubricating   Triple Lip Heavy Duty Seals
Long Description	20MM Bore; 12MM Housing Width; 35MM Outside Diameter; Spherical Plain; Steel Outer Member; Steel Ball; Teflon Liner; 16MM Overall Width; Not Relubricatable
Inch - Metric	Metric
Category	Plain Bearings Spherical Radial
UNSPSC	31171515
Harmonized Tariff Code	8483.30.80.70
Noun	Bearing
Keyword 3	Spherical
Keyword String	Plain Spherical Radial
Manufacturer URL	<a href="http://www.skf.com">http://www.skf.com</a>
Manufacturer Item Number	GE 20 TXE-2LS



## NTN-SNR BEARING RULMENTI S.R.L.

Weight / LBS	0.143
Housing Width	0.472 Inch   12 Millimeter
Outside Diameter	1.378 Inch   35 Millimeter
Bore	0.787 Inch   20 Millimeter
Overall Width	0.63 Inch   16 Millimeter
Lubricant	Maintenance free – dry lubrication
Design (sliding contact surface combination)	Steel/PTFE fabric
Sealing solution	Triple-lip seals
	9 °
$d_k$	29 mm
$r_1$ min.	0.3 mm
$r_2$ min.	0.3 mm
$d_a$ min.	22.1 mm
$d_a$ max.	24.2 mm
$D_a$ min.	27.6 mm
$D_a$ max.	33.2 mm
$r_a$ max.	0.3 mm
$r_b$ max.	0.3 mm
Basic dynamic load rating C	83 kN
Basic static load rating $C_0$	140 kN
Specific dynamic load factor K	300 N/mm <sup>2</sup>
Specific static load factor $K_0$	500 N/mm <sup>2</sup>
Mass plain bearing	0.06 kg