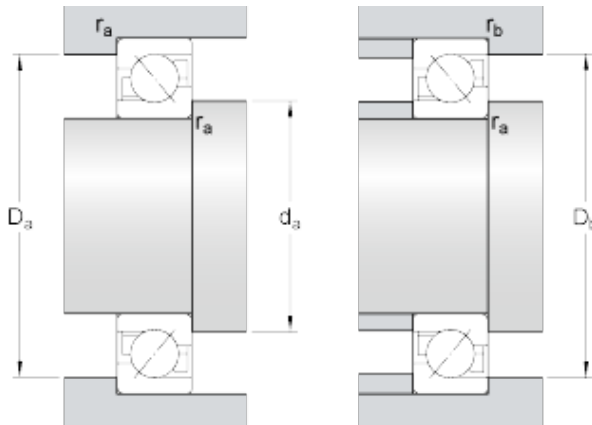




NTN-SNR BEARING RULMENTI S.R.L.



1250 mm x 1750 mm x 218 mm skf 70/1250
AMB Single row angular contact ball bearings

Bearing No. 70/1250 AMB

70/1250 AMB Bearing 2D drawings and 3D CAD models

d	1250 mm
D	1750 mm
B	218 mm
d ₁	1430.5 mm
d ₂	1430.5 mm
D ₁	1569 mm
a	542 mm
r _{1,2} min.	9.5 mm
r _{3,4} min.	5 mm
d _a min.	1284 mm
D _a max.	1716 mm
D _b max.	1732 mm
r _a max.	8 mm
r _b max.	4 mm
Basic dynamic load rating C	1990 kN
Basic static load rating C ₀	7650 kN
Fatigue load limit P _u	83 kN
Reference speed	240 r/min
Limiting speed	0 r/min
Calculation factor A	424
Calculation factor k _r	0.085
Calculation factor e	0.8
Calculation factor X	0.39
Calculation factor Y ₀	0.33
Calculation factor Y ₂	0.76



NTN-SNR BEARING RULMENTI S.R.L.

Calculation factor X	0.63
Calculation factor Y_0	0.66
Calculation factor Y_1	0.78
Calculation factor Y_2	1.24
Mass bearing	1600 kg