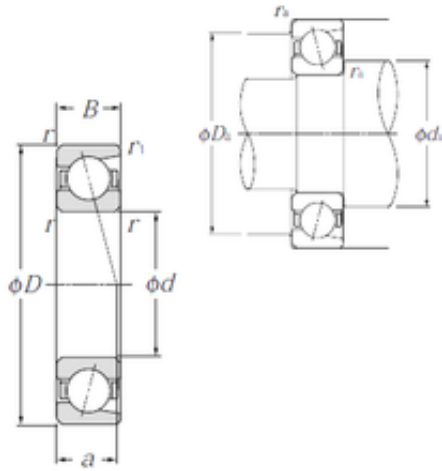




# NTN-SNR BEARING RULMENTI S.R.L.

50 mm x 110 mm x 27 mm NTN 7310B Single row or matched pairs of angular contact ball bearings



Bearing No. 7310B

7310B Bearing 2D drawings and 3D CAD models

Size	50x110x27 mm
Bore Diameter	50 mm
Outer Diameter	110 mm
Width	27 mm
d	50 mm
D	110 mm
B	27 mm
C	27 mm
Angle ( ° )	40 °
a	47 mm
r min.	2 mm
r1 min.	1 mm
da min.	60 mm
db min	55,5 mm
ra max.	2 mm
Weight	1,11 Kg
Basic dynamic load rating (C)	68 kN
Basic static load rating (C0)	48 kN
(Grease) Lubrication Speed	6 000 r/min
Contact angle	40 °
rs min	2 mm
r1s min	1 mm
Mass	1.11 kg
Dynamic load, C	68 kN



## NTN-SNR BEARING RULMENTI S.R.L.

Static load, C0	48 kN
Fatigue limit load, Cu	2.18 kN
Nlim (oil)	8,100 rpm
Nlim (grease)	6,000 rpm
Min operating temperature, Tmin	-40 ° C
Max operating temperature, Tmax	120 ° C
Characteristic cage frequency, FTF	0.41 Hz
Characteristic rolling element frequency, BSF	4.17 Hz
Characteristic outer ring frequency, BPF0	4.93 Hz
Characteristic inner ring frequency, BPF1	7.07 Hz
da min	60 mm
Da max	100 mm
Db max	104.5 mm
r1a max	1 mm
ra max	2 mm
Category	Angular Contact Ball Bearings
Inventory	0.0
Manufacturer Name	NTN
Minimum Buy Quantity	N/A
Weight / Kilogram	1.11
Product Group	B00308
Enclosure	Open
Flush Ground	No
Rolling Element	Ball Bearing
Number of Rows of Balls	Single Row
Precision Class	ABEC 1   ISO P0
Maximum Capacity / Filling Slot	No



## NTN-SNR BEARING RULMENTI S.R.L.

Snap Ring	No
Cage Material	Steel
Contact Angle	40 Degree
Internal Clearance	C0-Medium
Number of Bearings	1 (Single)
Inch - Metric	Metric
Long Description	50MM Bore; 110MM Outside Diameter; 27MM Width; Open; No Flush Ground; Ball Bearing; Single Row of Balls; ABEC 1   ISO P0; No Filling Slot; No Snap Ring
Category	Angular Contact Ball Bearing
UNSPSC	31171531
Harmonized Tariff Code	8482.10.50.28
Noun	Bearing
Keyword String	Angular Contact
Manufacturer URL	<a href="http://www.ntnamerica.com">http://www.ntnamerica.com</a>
Manufacturer Item Number	7310B
Outside Diameter	4.331 Inch   110 Millimeter
Width	1.063 Inch   27 Millimeter
Bore	1.969 Inch   50 Millimeter
bore diameter:	50 mm
radial dynamic load capacity:	68000 N
outside diameter:	110 mm
radial static load capacity:	48000 N
overall width:	27 mm
operating temperature range:	-40 to 120 ° C
contact angle:	40 °
cage material:	Steel



## NTN-SNR BEARING RULMENTI S.R.L.

row type & fill slot:	Single-Row Non-Fill Slot
maximum rpm:	8100 rpm
bore type:	Round
finish/coating:	Uncoated
closure type:	Open
fillet radius:	2 mm
snap ring included:	Without Snap Ring
weight:	1.092 kg
bearing material:	High Carbon Chrome Steel
manufacturer product page:	<a href="#">Click here</a>