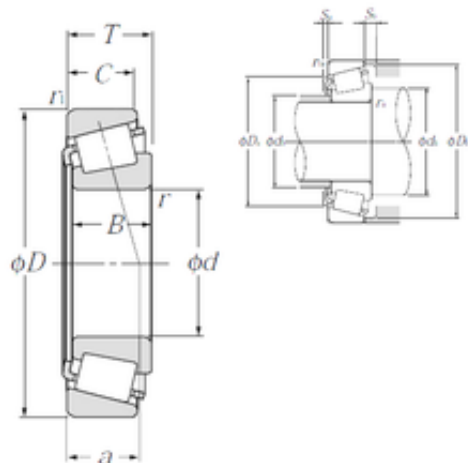




# NTN-SNR BEARING RULMENTI S.R.L.



65 mm x 90 mm x 17 mm NTN 32913XU Single row tapered roller bearings

Bearing No. 32913XU

32913XU Bearing 2D drawings and 3D CAD models

Size	65x90x17 mm
Bore Diameter	65 mm
Outer Diameter	90 mm
Width	17 mm
d	65 mm
D	90 mm
T	17 mm
B	17 mm
C	14 mm
ra1 max.	1 mm
a	16,5 mm
r min.	1 mm
r1 min.	1 mm
da min.	70,5 mm
Da min	80 mm
Da max.	84,5 mm
db max.	70 mm
Db min.	86,5 mm
ra max.	1 mm
Sa	3 mm
Sb	3 mm
Weight	0,315 Kg
Basic dynamic load rating (C)	48,5 kN
Basic static load rating (C0)	85 kN
(Grease) Lubrication Speed	3 700 r/min



## NTN-SNR BEARING RULMENTI S.R.L.

(Oil) Lubrication Speed	4 900 r/min
Calculation factor (e)	0,35
Calculation factor (Y0)	0,93
d1	78 mm
rs min	1 mm
r1s min	1 mm
e	0.35
Y2	1.7
Y0	0.93
Mass	0.32 kg
ISO 355 reference	T2BC065
Dynamic load, C	48.5 kN
Rating life coefficient, A2	1
Static load, C0	85 kN
Fatigue limit load, Cu	10.4 kN
Nlim (oil)	4,900 rpm
Nlim (grease)	3,700 rpm
Min operating temperature, Tmin	-40 ° C
Max operating temperature, Tmax	120 ° C
Characteristic cage frequency, FTF	0.47 Hz
Characteristic rolling element frequency, BSF	14.74 Hz
Characteristic outer ring frequency, BPF0	17.28 Hz
Characteristic inner ring frequency, BRFI	19.72 Hz
da max	70 mm
db min	70.5 mm
Da max	84.5 mm
Db min	86.5 mm
Ca min	3 mm



## NTN-SNR BEARING RULMENTI S.R.L.

Cb min	3 mm
ra max	1 mm
r1a max	1 mm