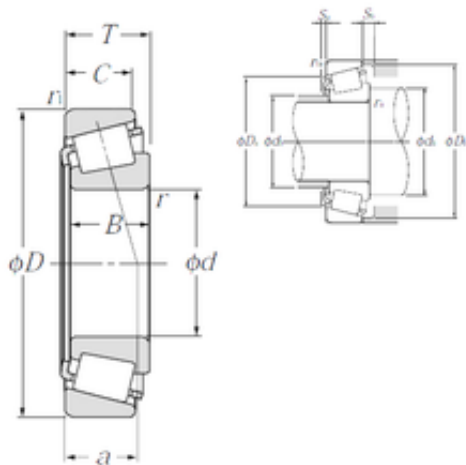




NTN-SNR BEARING RULMENTI S.R.L.



140 mm x 250 mm x 68 mm NTN 32228U
Single row tapered roller bearings

Bearing No. 32228U

32228U Bearing 2D drawings and 3D CAD models

Size	140x250x71.75 mm
Bore Diameter	140 mm
Outer Diameter	250 mm
Width	71,75 mm
d	140 mm
D	250 mm
T	71,75 mm
B	68 mm
C	58 mm
ra1 max.	2,5 mm
a	61 mm
r min.	4 mm
r1 min.	3 mm
da min.	158 mm
Da min	210 mm
Da max.	236 mm
db max.	158 mm
Db min.	238 mm
ra max.	3 mm
Sa	9 mm
Sb	13,5 mm
Weight	14,1 Kg
Basic dynamic load rating (C)	610 kN
Basic static load rating (C0)	920 kN
(Grease) Lubrication Speed	1 400 r/min



NTN-SNR BEARING RULMENTI S.R.L.

(Oil) Lubrication Speed	1 900 r/min
Calculation factor (e)	0,44
Calculation factor (Y0)	0,76
d1	193 mm
rs min	4 mm
r1s min	3 mm
e	0.44
Y2	1.38
Y0	0.76
Mass	14.1 kg
ISO 355 reference	T4FD140
Dynamic load, C	610 kN
Rating life coefficient, A2	1
Static load, C0	920 kN
Fatigue limit load, Cu	92 kN
Nlim (oil)	1,900 rpm
Nlim (grease)	1,400 rpm
Min operating temperature, Tmin	-40 ° C
Max operating temperature, Tmax	120 ° C
Characteristic cage frequency, FTF	0.43 Hz
Characteristic rolling element frequency, BSF	6.9 Hz
Characteristic outer ring frequency, BPF0	8.2 Hz
Characteristic inner ring frequency, BPF1	10.8 Hz
da max	158 mm
db min	158 mm
Da max	236 mm
Db min	238 mm
Ca min	9 mm



NTN-SNR BEARING RULMENTI S.R.L.

Cb min	13.5 mm
ra max	3 mm
r1a max	2.5 mm
Category	Bearings
Inventory	0.0
Manufacturer Name	NTN
Minimum Buy Quantity	N/A
Weight / Kilogram	0
EAN	4547359529494
Product Group	B04336