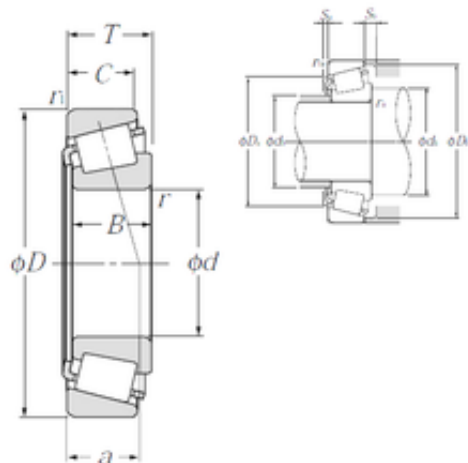




# NTN-SNR BEARING RULMENTI S.R.L.



200 mm x 360 mm x 98 mm NTN 32240U  
Single row tapered roller bearings

Bearing No. 32240U

32240U Bearing 2D drawings and 3D CAD models

Size	200x360x104 mm
Bore Diameter	200 mm
Outer Diameter	360 mm
Width	104 mm
d	200 mm
D	360 mm
T	104 mm
B	98 mm
C	82 mm
ra1 max.	3 mm
a	85 mm
r min.	5 mm
r1 min.	4 mm
da min.	222 mm
Da min	298 mm
Da max.	342 mm
db max.	230 mm
Db min.	340 mm
ra max.	4 mm
Sa	11 mm
Sb	22 mm
Weight	43,6 Kg
Basic dynamic load rating (C)	1 320 kN
Basic static load rating (C0)	2 130 kN
(Grease) Lubrication Speed	950 r/min



## NTN-SNR BEARING RULMENTI S.R.L.

(Oil) Lubrication Speed	1 300 r/min
Calculation factor (e)	0,41
Calculation factor (Y0)	0,81
d1	275 mm
rs min	5 mm
r1s min	4 mm
e	0.41
Y2	1.48
Y0	0.81
Mass	43.4 kg
ISO 355 reference	T3GD200
Dynamic load, C	1,320 kN
Rating life coefficient, A2	1
Static load, C0	2,130 kN
Fatigue limit load, Cu	191 kN
Nlim (oil)	1,300 rpm
Nlim (grease)	950 rpm
Min operating temperature, Tmin	-40 ° C
Max operating temperature, Tmax	120 ° C
Characteristic cage frequency, FTF	0.43 Hz
Characteristic rolling element frequency, BSF	6.73 Hz
Characteristic outer ring frequency, BPF0	8.59 Hz
Characteristic inner ring frequency, BRFI	11.41 Hz
da max	224.5 mm
db min	222 mm
Da max	342 mm
Db min	342.5 mm
Ca min	11 mm



## NTN-SNR BEARING RULMENTI S.R.L.

Cb min	22 mm
ra max	4 mm
r1a max	3 mm
Category	Bearings
Inventory	0.0
Manufacturer Name	NTN
Minimum Buy Quantity	N/A
Weight / Kilogram	43.6
Product Group	B04336