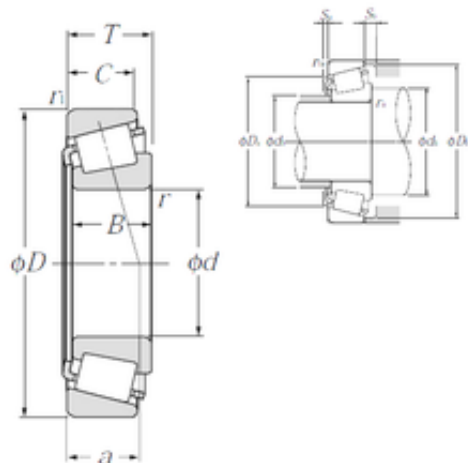




# NTN-SNR BEARING RULMENTI S.R.L.

40 mm x 90 mm x 33 mm NTN 32308U Single row tapered roller bearings



Bearing No. 32308U

32308U Bearing 2D drawings and 3D CAD models

Size	40x90x35.25 mm
Bore Diameter	40 mm
Outer Diameter	90 mm
Width	35,25 mm
d	40 mm
D	90 mm
T	35,25 mm
B	33 mm
C	27 mm
ra1 max.	1,5 mm
a	23 mm
r min.	2 mm
r1 min.	1,5 mm
da min.	50 mm
Da min	73 mm
Da max.	81,5 mm
db max.	50 mm
Db min.	82 mm
ra max.	2 mm
Sa	3 mm
Sb	8 mm
Weight	1,08 Kg
Basic dynamic load rating (C)	122 kN
Basic static load rating (C0)	150 kN
(Grease) Lubrication Speed	4 400 r/min



## NTN-SNR BEARING RULMENTI S.R.L.

(Oil) Lubrication Speed	5 900 r/min
Calculation factor (e)	0,35
Calculation factor (Y0)	0,96
d1	63.5 mm
rs min	2 mm
r1s min	1.5 mm
e	0.35
Y2	1.74
Y0	0.96
Mass	1.08 kg
ISO 355 reference	T2FD040
Dynamic load, C	122 kN
Rating life coefficient, A2	1
Static load, C0	150 kN
Fatigue limit load, Cu	18.3 kN
Nlim (oil)	5,900 rpm
Nlim (grease)	4,400 rpm
Min operating temperature, Tmin	-40 ° C
Max operating temperature, Tmax	120 ° C
Characteristic cage frequency, FTF	0.41 Hz
Characteristic rolling element frequency, BSF	5.28 Hz
Characteristic outer ring frequency, BPF0	6.57 Hz
Characteristic inner ring frequency, BRFI	9.43 Hz
da max	50 mm
db min	50 mm
Da max	81.5 mm
Db min	82 mm
Ca min	3 mm



## NTN-SNR BEARING RULMENTI S.R.L.

Cb min	8 mm
ra max	2 mm
r1a max	1.5 mm
Category	Bearings
Inventory	0.0
Manufacturer Name	NTN
Minimum Buy Quantity	N/A
Weight / Kilogram	0
Product Group	B04334