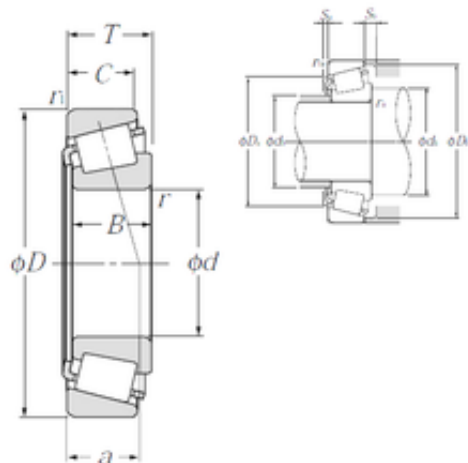




# NTN-SNR BEARING RULMENTI S.R.L.



45 mm x 100 mm x 36 mm NTN 32309U Single row tapered roller bearings

Bearing No. 32309U

32309U Bearing 2D drawings and 3D CAD models

|                               |                 |
|-------------------------------|-----------------|
| Size                          | 45x100x38.25 mm |
| Bore Diameter                 | 45 mm           |
| Outer Diameter                | 100 mm          |
| Width                         | 38,25 mm        |
| d                             | 45 mm           |
| D                             | 100 mm          |
| T                             | 38,25 mm        |
| B                             | 36 mm           |
| C                             | 30 mm           |
| ra1 max.                      | 1,5 mm          |
| a                             | 25,5 mm         |
| r min.                        | 2 mm            |
| r1 min.                       | 1,5 mm          |
| da min.                       | 55 mm           |
| Da min                        | 82 mm           |
| Da max.                       | 91,5 mm         |
| db max.                       | 56 mm           |
| Db min.                       | 93 mm           |
| ra max.                       | 2 mm            |
| Sa                            | 3 mm            |
| Sb                            | 8 mm            |
| Weight                        | 1,46 Kg         |
| Basic dynamic load rating (C) | 154 kN          |
| Basic static load rating (C0) | 191 kN          |
| (Grease) Lubrication Speed    | 4 000 r/min     |



## NTN-SNR BEARING RULMENTI S.R.L.

|   |             |
|---|-------------|
| (Oil) Lubrication Speed                       | 5 300 r/min |
| Calculation factor (e)                        | 0,35        |
| Calculation factor (Y0)                       | 0,96        |
| d1  | 71.5 mm     |
| rs min  | 2 mm        |
| r1s min                                       | 1.5 mm      |
| e   | 0.35        |
| Y2  | 1.74        |
| Y0  | 0.96        |
| Mass  | 1.46 kg     |
| ISO 355 reference                             | T2FD045     |
| Dynamic load, C                               | 154 kN      |
| Rating life coefficient, A2                   | 1           |
| Static load, C0                               | 191 kN      |
| Fatigue limit load, Cu                        | 23.3 kN     |
| Nlim (oil)                                    | 5,300 rpm   |
| Nlim (grease)                                 | 4,000 rpm   |
| Min operating temperature, Tmin               | -40 ° C     |
| Max operating temperature, Tmax               | 120 ° C     |
| Characteristic cage frequency, FTF            | 0.41 Hz     |
| Characteristic rolling element frequency, BSF | 5.28 Hz     |
| Characteristic outer ring frequency, BPF0     | 6.57 Hz     |
| Characteristic inner ring frequency, BPF1     | 9.43 Hz     |
| da max  | 56 mm       |
| db min  | 55 mm       |
| Da max  | 91.5 mm     |
| Db min  | 93 mm       |
| Ca min  | 3 mm        |
|   |             |



## NTN-SNR BEARING RULMENTI S.R.L.

|                      |               |
|----------------------|---------------|
| Cb min               | 8 mm          |
| ra max               | 2 mm          |
| r1a max              | 1.5 mm        |
| Category             | Bearings      |
| Inventory            | 0.0           |
| Manufacturer Name    | NTN           |
| Minimum Buy Quantity | N/A           |
| Weight / Kilogram    | 0             |
| EAN                  | 4547359003079 |
| Product Group        | B04334        |