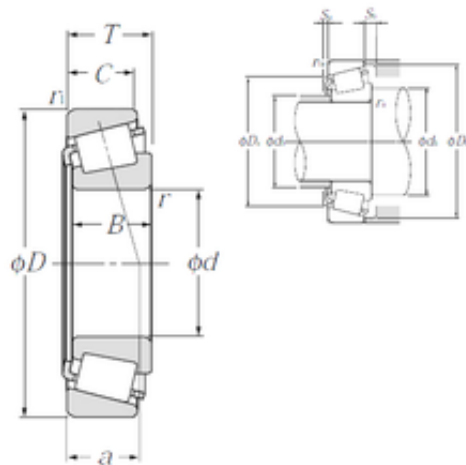




NTN-SNR BEARING RULMENTI S.R.L.



160 mm x 340 mm x 68 mm NTN 30332 Single row tapered roller bearings

Bearing No. 30332

30332 Bearing 2D drawings and 3D CAD models

Size	160x340x75 mm
Bore Diameter	160 mm
Outer Diameter	340 mm
Width	75 mm
d	160 mm
D	340 mm
T	75 mm
B	68 mm
C	58 mm
ra1 max.	3 mm
a	65,5 mm
r min.	4 mm
r1 min.	4 mm
da min.	182 mm
Da min	286 mm
Da max.	322 mm
db max.	205 mm
Db min.	311 mm
ra max.	4 mm
Sa	10 mm
Sb	17 mm
Weight	29,2 Kg
Basic dynamic load rating (C)	755 kN
Basic static load rating (C0)	975 kN
(Grease) Lubrication Speed	1 100 r/min



NTN-SNR BEARING RULMENTI S.R.L.

(Oil) Lubrication Speed	1 500 r/min
Calculation factor (e)	0,37
Calculation factor (Y0)	0,88
d1	240 mm
rs min	4 mm
r1s min	4 mm
e	0.37
Y2	1.6
Y0	0.88
Mass	29.2 kg
Dynamic load, C	755 kN
Rating life coefficient, A2	1
Static load, C0	975 kN
Fatigue limit load, Cu	90.3 kN
Nlim (oil)	1,500 rpm
Nlim (grease)	1,100 rpm
Min operating temperature, Tmin	-40 ° C
Max operating temperature, Tmax	120 ° C
Characteristic cage frequency, FTF	0.42 Hz
Characteristic rolling element frequency, BSF	5.8 Hz
Characteristic outer ring frequency, BPF0	6.28 Hz
Characteristic inner ring frequency, BPF1	8.72 Hz
da max	205 mm
db min	182 mm
Da max	322 mm
Db min	311 mm
Ca min	10 mm
Cb min	17 mm



NTN-SNR BEARING RULMENTI S.R.L.

ra max	4 mm
r1a max	3 mm