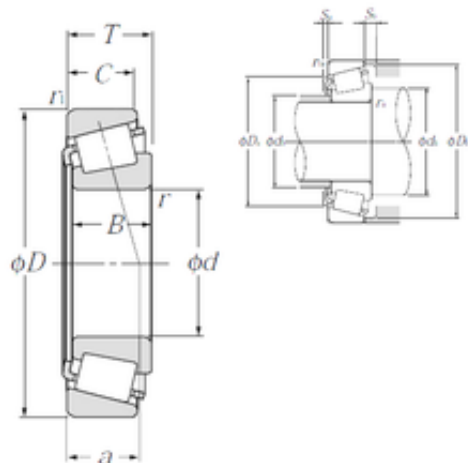




NTN-SNR BEARING RULMENTI S.R.L.



320 mm x 480 mm x 100 mm NTN 32064XU
Single row tapered roller bearings

Bearing No. 32064XU

32064XU Bearing 2D drawings and 3D CAD models

Size	320x480x100 mm
Bore Diameter	320 mm
Outer Diameter	480 mm
Width	100 mm
d	320 mm
D	480 mm
T	100 mm
B	100 mm
C	74 mm
ra1 max.	3 mm
a	104 mm
r min.	5 mm
r1 min.	4 mm
da min.	342 mm
Da min	418,5 mm
Da max.	462 mm
db max.	344,5 mm
Db min.	463 mm
ra max.	4 mm
Sa	15 mm
Sb	26 mm
Weight	60,2 Kg
Basic dynamic load rating (C)	1 520 kN
Basic static load rating (C0)	2 940 kN
(Grease) Lubrication Speed	630 r/min



NTN-SNR BEARING RULMENTI S.R.L.

(Oil) Lubrication Speed	840 r/min
Calculation factor (e)	0,46
Calculation factor (Y0)	0,72
d1	402.5 mm
rs min	5 mm
r1s min	4 mm
e	0.46
Y2	1.31
Y0	0.72
Mass	60.2 kg
ISO 355 reference	T4GD320
Dynamic load, C	1,520 kN
Rating life coefficient, A2	1
Static load, C0	2,940 kN
Fatigue limit load, Cu	236 kN
Nlim (oil)	840 rpm
Nlim (grease)	630 rpm
Min operating temperature, Tmin	-40 ° C
Max operating temperature, Tmax	120 ° C
Characteristic cage frequency, FTF	0.45 Hz
Characteristic rolling element frequency, BSF	10.14 Hz
Characteristic outer ring frequency, BPF0	12.69 Hz
Characteristic inner ring frequency, BRFI	15.31 Hz
da max	344.5 mm
db min	342 mm
Da max	462 mm
Db min	463 mm
Ca min	15 mm



NTN-SNR BEARING RULMENTI S.R.L.

Cb min	26 mm
ra max	4 mm
r1a max	3 mm
Category	Bearings
Inventory	0.0
Manufacturer Name	NTN
Minimum Buy Quantity	N/A
Weight / Kilogram	59.3
Product Group	B00152