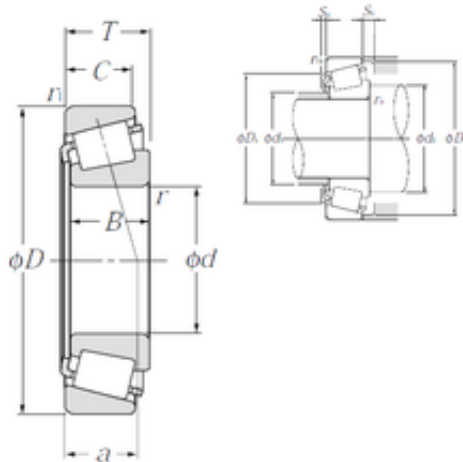




NTN-SNR BEARING RULMENTI S.R.L.

70 mm x 125 mm x 31 mm NTN 32214U Single row tapered roller bearings



Bearing No. 32214U

32214U Bearing 2D drawings and 3D CAD models

Size	70x125x33.25 mm
Bore Diameter	70 mm
Outer Diameter	125 mm
Width	33,25 mm
d	70 mm
D	125 mm
T	33,25 mm
B	31 mm
C	27 mm
ra1 max.	1,5 mm
a	28,5 mm
r min.	2 mm
r1 min.	1,5 mm
da min.	80 mm
Da min	108 mm
Da max.	116,5 mm
db max.	80 mm
Db min.	119 mm
ra max.	2 mm
Sa	4 mm
Sb	6 mm
Weight	1,68 Kg
Basic dynamic load rating (C)	166 kN
Basic static load rating (C0)	220 kN
(Grease) Lubrication Speed	2 900 r/min



NTN-SNR BEARING RULMENTI S.R.L.

(Oil) Lubrication Speed	3 900 r/min
Calculation factor (e)	0,42
Calculation factor (Y0)	0,79
d1	96 mm
rs min	2 mm
r1s min	1.5 mm
e	0.42
Y2	1.43
Y0	0.79
Mass	1.68 kg
ISO 355 reference	T3EC070
Dynamic load, C	166 kN
Rating life coefficient, A2	1
Static load, C0	220 kN
Fatigue limit load, Cu	26.8 kN
Nlim (oil)	3,900 rpm
Nlim (grease)	2,900 rpm
Min operating temperature, Tmin	-40 ° C
Max operating temperature, Tmax	120 ° C
Characteristic cage frequency, FTF	0.43 Hz
Characteristic rolling element frequency, BSF	6.63 Hz
Characteristic outer ring frequency, BPF0	8.58 Hz
Characteristic inner ring frequency, BPF1	11.42 Hz
da max	80 mm
db min	80 mm
Da max	116.5 mm
Db min	119 mm
Ca min	4 mm



NTN-SNR BEARING RULMENTI S.R.L.

Cb min	6 mm
ra max	2 mm
r1a max	1.5 mm
Category	Roller Bearings
Inventory	0.0
Manufacturer Name	NTN
Minimum Buy Quantity	N/A
Weight / Kilogram	0
EAN	4547359003031
Product Group	B04334