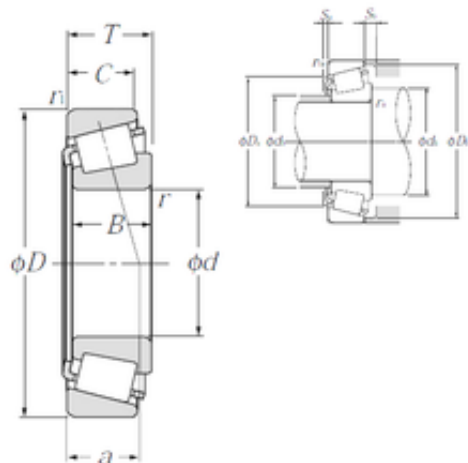




NTN-SNR BEARING RULMENTI S.R.L.



110 mm x 200 mm x 53 mm NTN 32222U
Single row tapered roller bearings

Bearing No. 32222U

32222U Bearing 2D drawings and 3D CAD models

Size	110x200x56 mm
Bore Diameter	110 mm
Outer Diameter	200 mm
Width	56 mm
d	110 mm
D	200 mm
T	56 mm
B	53 mm
C	46 mm
ra1 max.	2 mm
a	47 mm
r min.	3 mm
r1 min.	2,5 mm
da min.	124 mm
Da min	170 mm
Da max.	188 mm
db max.	126 mm
Db min.	190 mm
ra max.	2,5 mm
Sa	6 mm
Sb	10 mm
Weight	7,43 Kg
Basic dynamic load rating (C)	420 kN
Basic static load rating (C0)	605 kN
(Grease) Lubrication Speed	1 800 r/min



NTN-SNR BEARING RULMENTI S.R.L.

(Oil) Lubrication Speed	2 400 r/min
Calculation factor (e)	0,42
Calculation factor (Y0)	0,79
rs min	2.5 mm
r1s min	2 mm
e	0.42
Y2	1.43
Y0	0.79
Mass	7.43 kg
ISO 355 reference	T3FC110
Dynamic load, C	420 kN
Rating life coefficient, A2	1
Static load, C0	605 kN
Nlim (oil)	2,400 rpm
Nlim (grease)	1,800 rpm
Min operating temperature, Tmin	-40 ° C
Max operating temperature, Tmax	120 ° C
da max	124 mm
db min	126 mm
Da max	188 mm
Db min	190 mm
ra max	2.5 mm
r1a max	2 mm
Category	Bearings
Inventory	0.0
Manufacturer Name	NTN
Minimum Buy Quantity	N/A
Weight / Kilogram	0
EAN	4547359529432
Product Group	B04334