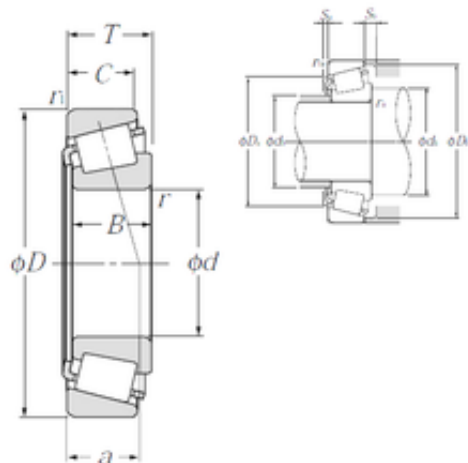




NTN-SNR BEARING RULMENTI S.R.L.



65 mm x 140 mm x 48 mm NTN 32313U Single row tapered roller bearings

Bearing No. 32313U

32313U Bearing 2D drawings and 3D CAD models

Size	65x140x51 mm
Bore Diameter	65 mm
Outer Diameter	140 mm
Width	51 mm
d	65 mm
D	140 mm
T	51 mm
B	48 mm
C	39 mm
ra1 max.	2 mm
a	34,5 mm
r min.	3 mm
r1 min.	2,5 mm
da min.	79 mm
Da min	117 mm
Da max.	128 mm
db max.	80 mm
Db min.	130 mm
ra max.	2,5 mm
Sa	4 mm
Sb	12 mm
Weight	3,66 Kg
Basic dynamic load rating (C)	273 kN
Basic static load rating (C0)	350 kN
(Grease) Lubrication Speed	2 800 r/min



NTN-SNR BEARING RULMENTI S.R.L.

(Oil) Lubrication Speed	3 700 r/min
Calculation factor (e)	0,35
Calculation factor (Y0)	0,96
d1	100.5 mm
rs min	3 mm
r1s min	2.5 mm
e	0.35
Y2	1.74
Y0	0.96
Mass	3.66 kg
ISO 355 reference	T2GD065
Dynamic load, C	273 kN
Rating life coefficient, A2	1
Static load, C0	350 kN
Fatigue limit load, Cu	42.3 kN
Nlim (oil)	3,700 rpm
Nlim (grease)	2,800 rpm
Min operating temperature, Tmin	-40 ° C
Max operating temperature, Tmax	120 ° C
Characteristic cage frequency, FTF	0.41 Hz
Characteristic rolling element frequency, BSF	5.27 Hz
Characteristic outer ring frequency, BPF0	6.57 Hz
Characteristic inner ring frequency, BRFI	9.43 Hz
da max	80 mm
db min	79 mm
Da max	128 mm
Db min	130 mm
Ca min	4 mm



NTN-SNR BEARING RULMENTI S.R.L.

Cb min	12 mm
ra max	2.5 mm
r1a max	2 mm
Category	Bearings
Inventory	0.0
Manufacturer Name	NTN
Minimum Buy Quantity	N/A
Weight / Kilogram	0
EAN	4547359003116
Product Group	B04334