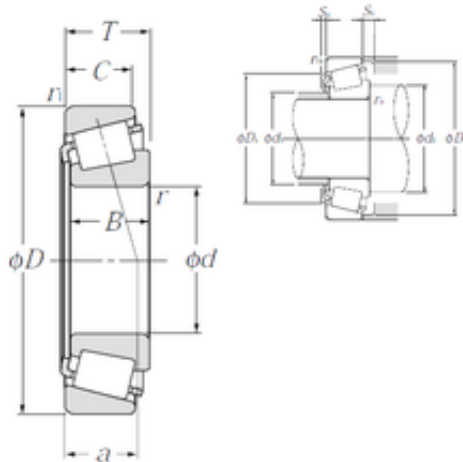




# NTN-SNR BEARING RULMENTI S.R.L.

75 mm x 160 mm x 55 mm NTN 32315U Single row tapered roller bearings



Bearing No. 32315U

32315U Bearing 2D drawings and 3D CAD models

Size	75x160x58 mm
Bore Diameter	75 mm
Outer Diameter	160 mm
Width	58 mm
d	75 mm
D	160 mm
T	58 mm
B	55 mm
C	45 mm
ra1 max.	2 mm
a	39 mm
r min.	3 mm
r1 min.	2,5 mm
da min.	89 mm
Da min	133 mm
Da max.	148 mm
db max.	91 mm
Db min.	149 mm
ra max.	2,5 mm
Sa	4 mm
Sb	13 mm
Weight	5,35 Kg
Basic dynamic load rating (C)	355 kN
Basic static load rating (C0)	470 kN
(Grease) Lubrication Speed	2 400 r/min



## NTN-SNR BEARING RULMENTI S.R.L.

(Oil) Lubrication Speed	3 200 r/min
Calculation factor (e)	0,35
Calculation factor (Y0)	0,96
d1	115 mm
rs min	3 mm
r1s min	2.5 mm
e	0.35
Y2	1.74
Y0	0.96
Mass	5.35 kg
ISO 355 reference	T2GD075
Dynamic load, C	355 kN
Rating life coefficient, A2	1
Static load, C0	470 kN
Fatigue limit load, Cu	54.6 kN
Nlim (oil)	3,200 rpm
Nlim (grease)	2,400 rpm
Min operating temperature, Tmin	-40 ° C
Max operating temperature, Tmax	120 ° C
Characteristic cage frequency, FTF	0.41 Hz
Characteristic rolling element frequency, BSF	5.27 Hz
Characteristic outer ring frequency, BPF0	6.57 Hz
Characteristic inner ring frequency, BRFI	9.43 Hz
da max	91 mm
db min	89 mm
Da max	148 mm
Db min	149 mm
Ca min	4 mm



## NTN-SNR BEARING RULMENTI S.R.L.

Cb min	13 mm
ra max	2.5 mm
r1a max	2 mm
Category	Bearings
Inventory	0.0
Manufacturer Name	NTN
Minimum Buy Quantity	N/A
Weight / Kilogram	0
EAN	4547359003130
Product Group	B04334