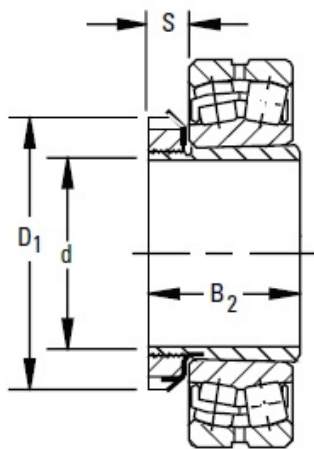




# NTN-SNR BEARING RULMENTI S.R.L.



timken SNW-16 x 2 3/4 SNW/SNP-Pull-Type Sleeve, Locknut, Lockwasher/Lockplate Assemblies

Bearing No. SNW-16 x 2 3/4

Series	222K
Diameter d	2 3/4 in
Taper	1:12
SNW/SNP Assembly Weight	2.43 lb
Tolerance <sup>1</sup>	-0.004 in
B <sub>2</sub>	2.366 in
S	0.666 in
D <sub>1</sub>	4.161 in
Sleeve	S-16 x 2 3/4
Locknut	AN-16
Lockwasher and Lockplates	W-16

SNW-16 x 2 3/4 Bearing 2D drawings and 3D CAD models