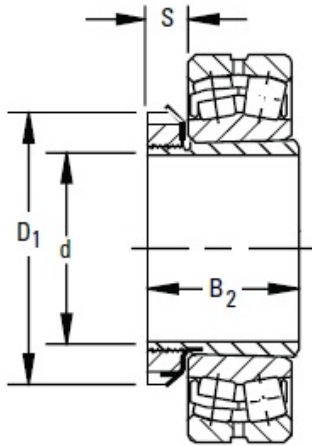




NTN-SNR BEARING RULMENTI S.R.L.



timken SNW-22 x 4 SNW/SNP-Pull-Type Sleeve, Locknut, Lockwasher/Lockplate Assemblies

Bearing No. SNW-22 x 4

Series	222K
Diameter d	4 in
Taper	1:12
SNW/SNP Assembly Weight	4.96 lb
Tolerance ¹	-0.004 in
B ₂	3.196 in
S	0.906 in
D ₁	5.724 in
Sleeve	S-22 x 4
Locknut	AN-22
Lockwasher and Lockplates	W-22

SNW-22 x 4 Bearing 2D drawings and 3D CAD models