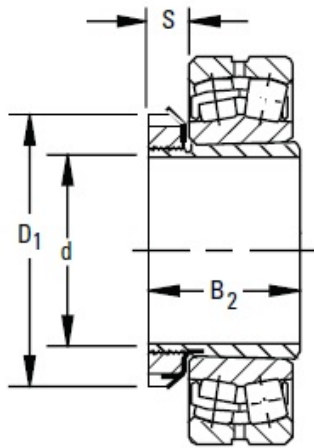




NTN-SNR BEARING RULMENTI S.R.L.



timken SNW-38 x 6 7/8 SNW/SNP-Pull-Type Sleeve, Locknut, Lockwasher/Lockplate Assemblies

Bearing No. SNW-38 x 6 7/8

Series	222K
Diameter d	6 7/8 in
Taper	1:12
SNW/SNP Assembly Weight	23.5 lb
Tolerance ¹	-0.005 in
B ₂	5.251 in
S	1.281 in
D ₁	9.474 in
Sleeve	S-38 x 6 7/8
Locknut	AN-38
Lockwasher and Lockplates	W-38

SNW-38 x 6 7/8 Bearing 2D drawings and 3D CAD models