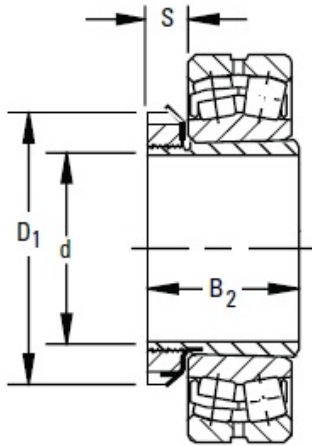




NTN-SNR BEARING RULMENTI S.R.L.



timken SNW-3036 x 6 3/8 SNW/SNP-Pull-
Type Sleeve, Locknut, Lockwasher/Lockplate
Assemblies

Bearing No. SNW-3036 x 6 3/8

Series	230K
Diameter d	6 3/8 in
Taper	1:12
SNW/SNP Assembly Weight	15 lb
Tolerance ¹	-0.005 in
B ₂	4.327 in
S	1.219 in
D ₁	8.255 in
Sleeve	S-3036 x 6 3/8
Locknut	N-036
Lockwasher and Lockplates	W-036

SNW-3036 x 6 3/8 Bearing 2D drawings and 3D CAD
models