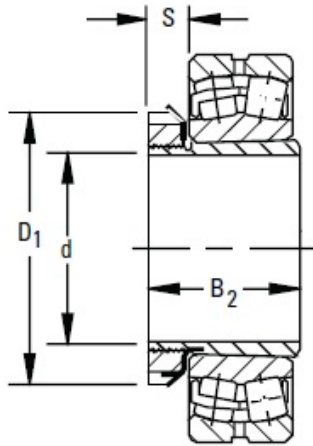




# NTN-SNR BEARING RULMENTI S.R.L.



## timken SNW-3038 x 6 15/16 SNW/SNP-Pull-Type Sleeve, Locknut, Lockwasher/Lockplate Assemblies

Bearing No. SNW-3038 x 6 15/16

Series	230K
Diameter d	6 15/16 in
Taper	1:12
SNW/SNP Assembly Weight	16.5 lb
Tolerance <sup>1</sup>	-0.005 in
B <sub>2</sub>	4.402 in
S	1.250 in
D <sub>1</sub>	8.693 in
Sleeve	S-3038
Locknut	N-038
Lockwasher and Lockplates	W-038

SNW-3038 x 6 15/16 Bearing 2D drawings and 3D CAD models