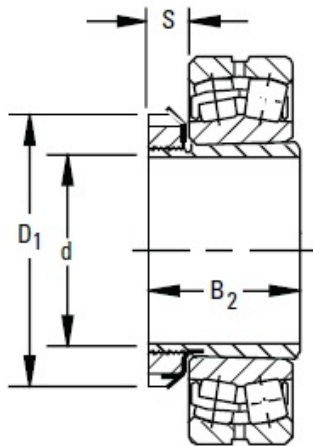




NTN-SNR BEARING RULMENTI S.R.L.



timken SNW-118 x 3 3/16 SNW/SNP-Pull-
Type Sleeve, Locknut, Lockwasher/Lockplate
Assemblies

Bearing No. SNW-118 x 3 3/16

Series	223K and 232K
Diameter d	3 3/16 in
Taper	1:12
SNW/SNP Assembly Weight	3.73 lb
Tolerance ¹	-0.004 in
B ₂	3.543 in
S	0.782 in
D ₁	4.661 in
Sleeve	S-118
Locknut	AN-18
Lockwasher and Lockplates	W-18

SNW-118 x 3 3/16 Bearing 2D drawings and 3D CAD
models