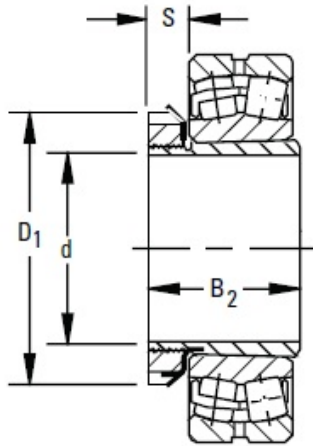




NTN-SNR BEARING RULMENTI S.R.L.



timken SNW-117 x 2 7/8 SNW/SNP-Pull-Type Sleeve, Locknut, Lockwasher/Lockplate Assemblies

Bearing No. SNW-117 x 2 7/8

Series	223K and 232K
Diameter d	2 7/8 in
Taper	1:12
SNW/SNP Assembly Weight	3.2 lb
Tolerance ¹	-0.004 in
B ₂	3.302 in
S	0.697 in
D ₁	4.411 in
Sleeve	S-117 x 2 7/8
Locknut	AN-17
Lockwasher and Lockplates	W-17

SNW-117 x 2 7/8 Bearing 2D drawings and 3D CAD models