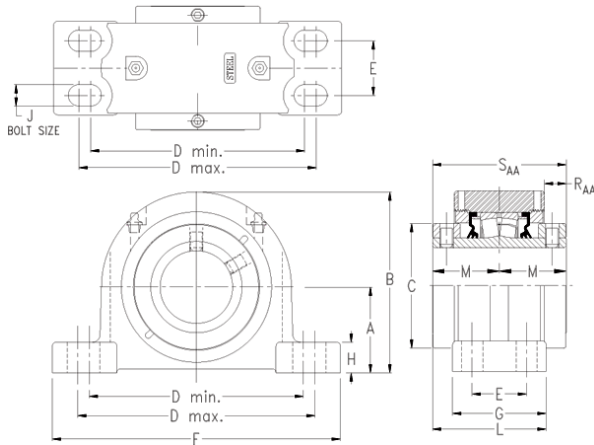




NTN-SNR BEARING RULMENTI S.R.L.



timken QAAPF20A315S Solid Block/Spherical Roller Bearing Housed Units-Double Concentric Four-Bolt Pillow Block

Bearing No. QAAPF20A315S

QAAPF20A315S Bearing 2D drawings and 3D CAD models

Engineering Group	Mounted Bearing
Shaft Size	3-15/16 in
Shaft Size Type	Imperial
Full Timken Part Number	QAAPF20A315SB
Locking Style	Double Concentric
Weight	67 lb
Housing Style	Four-Bolt Pillow Block
UPC Code	0883450027700
Dimension A	4.25 in
Dimension B	8.780 in
Dimension C	6.00 in
Dimension D Max	13.38 in
Dimension D Min	10.88 in
Dimension E	2.25 in
Dimension F	14.88 in
Dimension G	4.310 in
Dimension H	1.40 in
Dimension J (Bolt Size)	0.750 in
Dimension L	5.13 in
Dimension M	2.97 in
Dimension RAA	0.99 in
Dimension SAA	5.94 in
C0 - Static Load	113000 lb
C - Dynamic Load (Basic)	97700 lb
e - Geometry Factor	0.24



NTN-SNR BEARING RULMENTI S.R.L.

Y1 - Geometry Factor	2.85
Y2 - Geometry Factor	4.24
Oil Lubrication - M/N Seal	1200 rpm
Oil Lubrication - T Seal	2000 rpm
Oil Lubrication - B/C/O Seal	900 rpm
Grease Lubrication - M/N Seal	1200 rpm
Grease Lubrication - T Seal	1600 rpm
Grease Lubrication - B/C/O Seal	900 rpm
Float	0.083 in
Shaft Tolerance	0.0030 in
Eng Internal Radial Clearance - Min	0.0030
Eng Internal Radial Clearance - Max	0.0047
Pre Install Clearance Min	0.0030 in
Pre Install Clearance Max	0.0047 in