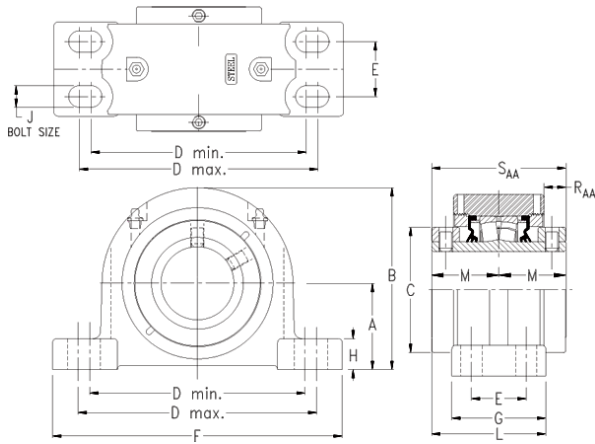




# NTN-SNR BEARING RULMENTI S.R.L.



## timken QAAPR15A075S Solid Block/Spherical Roller Bearing Housed Units-Double Concentric Four-Bolt Pillow Block

Bearing No. QAAPR15A075S

QAAPR15A075S Bearing 2D drawings and 3D CAD models

Engineering Group	Mounted Bearing
Shaft Size	75 mm
Shaft Size Type	Metric
Full Timken Part Number	QAAPR15A075SB
Locking Style	Double Concentric
Weight	27 lb
Housing Style	Four-Bolt Pillow Block
UPC Code	0883450030007
Dimension A	3.13 in
Dimension B	6.47 in
Dimension C	4.29 in
Dimension D Max	9.60 in
Dimension D Min	8.00 in
Dimension E	2.13 in
Dimension F	10.83 in
Dimension G	3.380 in
Dimension H	1.16 in
Dimension J (Bolt Size)	0.625 in
Dimension L	4.02 in
Dimension M	2.37 in
Dimension RAA	0.88 in
Dimension SAA	4.74 in
C0 - Static Load	54100 lb
C - Dynamic Load (Basic)	49900 lb
e - Geometry Factor	0.22



## NTN-SNR BEARING RULMENTI S.R.L.

Y1 - Geometry Factor	3.14
Y2 - Geometry Factor	4.67
Oil Lubrication - M/N Seal	1600 rpm
Oil Lubrication - T Seal	2900 rpm
Oil Lubrication - B/C/O Seal	1300 rpm
Grease Lubrication - M/N Seal	1600 rpm
Grease Lubrication - T Seal	2400 rpm
Grease Lubrication - B/C/O Seal	1300 rpm
Float	0.083 in
Shaft Tolerance	0.0020 in
Eng Internal Radial Clearance - Min	0.0020
Eng Internal Radial Clearance - Max	0.0031
Pre Install Clearance Min	0.0020 in
Pre Install Clearance Max	0.0031 in