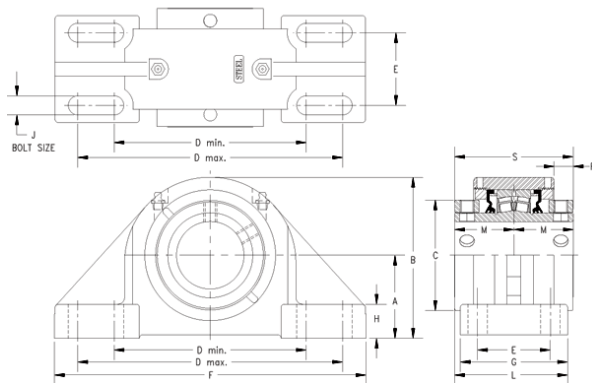




NTN-SNR BEARING RULMENTI S.R.L.



timken QAAPX20A100S Solid Block/Spherical Roller Bearing Housed Units-Double Concentric Four-Bolt Pillow Block

Bearing No. QAAPX20A100S

QAAPX20A100S Bearing 2D drawings and 3D CAD models

Engineering Group	Mounted Bearing
Shaft Size	100 mm
Shaft Size Type	Metric
Full Timken Part Number	QAAPX20A100SB
Locking Style	Double Concentric
Weight	99 lb
Housing Style	Four-Bolt Pillow Block
UPC Code	0883450013161
Dimension A	5.00 in
Dimension B	9.44 in
Dimension C	6.00 in
Dimension D Max	14.00 in
Dimension D Min	12.50 in
Dimension E	3.50 in
Dimension F	16.75 in
Dimension G	5.5000 in
Dimension H	1.63 in
Dimension J (Bolt Size)	0.875 in
Dimension L	5.71 in
Dimension M	2.96 in
Dimension R	1.0 in
Dimension S	5.92 in
C0 - Static Load	113000 lb
C - Dynamic Load (Basic)	97700 lb
e - Geometry Factor	0.24



NTN-SNR BEARING RULMENTI S.R.L.

Y1 - Geometry Factor	2.85
Y2 - Geometry Factor	4.24
Oil Lubrication - M/N Seal	1200 rpm
Oil Lubrication - T Seal	2000 rpm
Oil Lubrication - B/C/O Seal	900 rpm
Grease Lubrication - M/N Seal	1200 rpm
Grease Lubrication - T Seal	1600 rpm
Grease Lubrication - B/C/O Seal	900 rpm
Float	0.083 in
Shaft Tolerance	0.0030 in
Eng Internal Radial Clearance - Min	0.0030
Eng Internal Radial Clearance - Max	0.0047
Pre Install Clearance Min	0.0030 in
Pre Install Clearance Max	0.0047 in