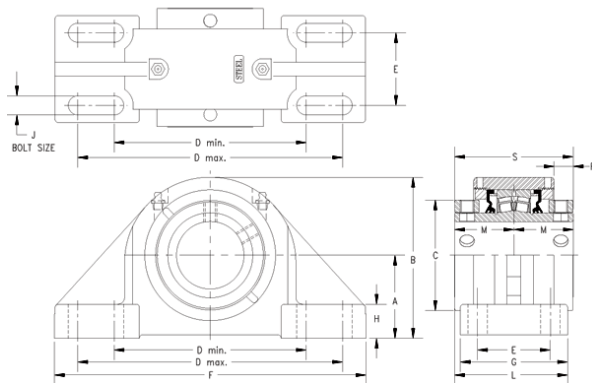




NTN-SNR BEARING RULMENTI S.R.L.



timken QAAPX26A415S Solid Block/Spherical Roller Bearing Housed Units-Double Concentric Four-Bolt Pillow Block

Bearing No. QAAPX26A415S

QAAPX26A415S Bearing 2D drawings and 3D CAD models

Engineering Group	Mounted Bearing
Shaft Size	4-15/16 in
Shaft Size Type	Imperial
Full Timken Part Number	QAAPX26A415SB
Locking Style	Double Concentric
Weight	149 lb
Housing Style	Four-Bolt Pillow Block
UPC Code	0883450032902
Dimension A	6.13 in
Dimension B	11.15 in
Dimension C	6.88 in
Dimension D Max	16.75 in
Dimension D Min	15.25 in
Dimension E	4.25 in
Dimension F	20.25 in
Dimension G	6.7500 in
Dimension H	2.00 in
Dimension J (Bolt Size)	1.125 in
Dimension L	7.1 in
Dimension M	3.72 in
Dimension R	1.47 in
Dimension S	7.440 in
C0 - Static Load	212000 lb
C - Dynamic Load (Basic)	170000 lb
e - Geometry Factor	0.26



NTN-SNR BEARING RULMENTI S.R.L.

Y1 - Geometry Factor	2.62
Y2 - Geometry Factor	3.90
Oil Lubrication - M/N Seal	700 rpm
Oil Lubrication - T Seal	1500 rpm
Oil Lubrication - B/C/O Seal	400 rpm
Grease Lubrication - M/N Seal	700 rpm
Grease Lubrication - T Seal	1000 rpm
Grease Lubrication - B/C/O Seal	400 rpm
Float	0.083 in
Shaft Tolerance	0.0050 in
Eng Internal Radial Clearance - Min	0.0037
Eng Internal Radial Clearance - Max	0.0057
Pre Install Clearance Min	0.0037 in
Pre Install Clearance Max	0.0057 in